

Type: Semi-hermetic piston compressors

Producer: Copeland

Series: DK

Model: DKSJ-100

Technical data

Cylinder count:	2
Displacement [m ³ /h]:	6,3
Weight [kg]:	42
Oil charge [dm ³]:	0,6
Max. operating current [A]:	3
Locked rotor current [A]:	15,5
Power supply [V/~/Hz]:	380-420V/3/50Hz

Connections

	<u>milimeters</u>	<u>inches</u>
Suction line:		5/8"
Discharge line:		1/2"

R22

Cooling capacity [kW]

t_c \ t_e	-50	-45	-40	-35	-30	-25	-20	-15	-10	-5
25	0.34	0.56	0.82	1.14	1.52	1.98	2.52	3.16	3.91	4.77
30	0.27	0.47	0.72	1.02	1.38	1.82	2.33	2.94	3.65	4.48
35	0.20	0.39	0.63	0.91	1.25	1.66	2.15	2.72	3.40	4.19
40	0.13	0.32	0.54	0.80	1.12	1.51	1.97	2.51	3.16	3.91
45	-	0.25	0.45	0.70	1.00	1.36	1.79	2.31	2.92	3.64
50	-	0.19	0.38	0.61	0.89	1.22	1.63	2.12	2.70	3.38
55	-	0.13	0.31	0.52	0.78	1.10	1.48	1.94	2.49	3.13

Power input [kW]

t_c \ t_e	-50	-45	-40	-35	-30	-25	-20	-15	-10	-5
25	0.48	0.58	0.67	0.75	0.82	0.89	0.95	1.01	1.06	1.11
30	0.46	0.57	0.67	0.76	0.85	0.93	1.01	1.08	1.15	1.22
35	0.44	0.55	0.66	0.76	0.87	0.96	1.06	1.15	1.24	1.32
40	0.41	0.53	0.65	0.77	0.88	0.99	1.10	1.21	1.32	1.42
45	-	0.51	0.64	0.77	0.89	1.02	1.14	1.27	1.39	1.52
50	-	0.49	0.63	0.77	0.91	1.05	1.19	1.33	1.47	1.62
55	-	0.47	0.62	0.77	0.92	1.07	1.23	1.39	1.55	1.71

Current [A]

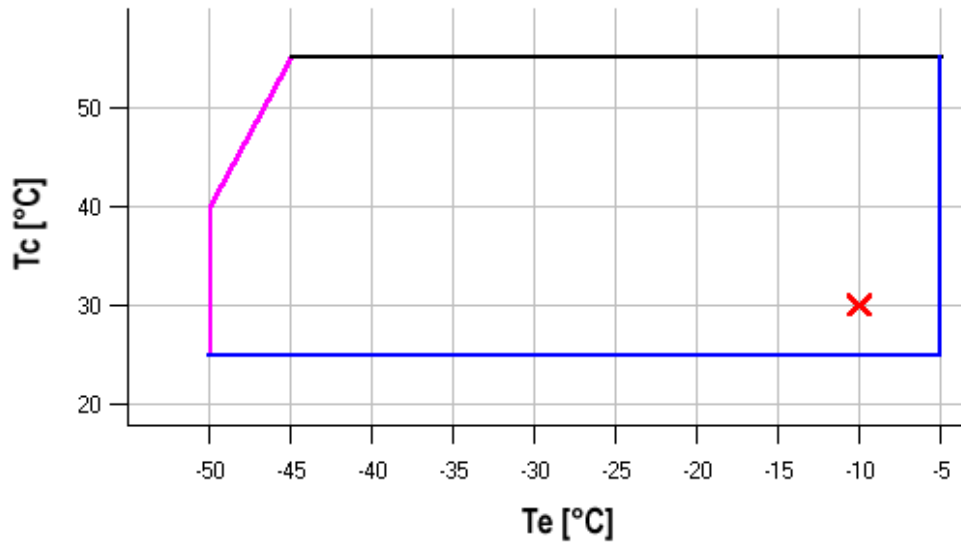
t_c \ t_e	-50	-45	-40	-35	-30	-25	-20	-15	-10	-5
25	1.55	1.61	1.69	1.77	1.85	1.94	2.01	2.08	2.13	2.17
30	1.53	1.60	1.69	1.78	1.88	1.98	2.08	2.17	2.25	2.31
35	1.51	1.59	1.69	1.79	1.90	2.02	2.14	2.25	2.35	2.45
40	1.49	1.58	1.68	1.80	1.92	2.06	2.19	2.33	2.46	2.58
45	-	1.56	1.67	1.80	1.94	2.09	2.24	2.40	2.55	2.70
50	-	1.55	1.66	1.80	1.95	2.12	2.29	2.47	2.65	2.82
55	-	1.53	1.65	1.80	1.96	2.14	2.33	2.53	2.73	2.94

Mass flow [kg/s]

t_c \ t_e	-50	-45	-40	-35	-30	-25	-20	-15	-10	-5
25	7.54	12.42	18.07	24.68	32.44	41.55	52.19	64.56	78.84	95.22
30	6.20	10.96	16.48	22.97	30.59	39.56	50.05	62.27	76.39	92.61
35	4.84	9.48	14.88	21.23	28.73	37.55	47.90	59.96	73.93	89.98
40	3.49	8.01	13.29	19.51	26.87	35.56	45.76	57.68	71.49	87.38
45	-	6.58	11.74	17.84	25.07	33.61	43.68	55.44	69.10	84.84
50	-	5.23	10.26	16.23	23.33	31.75	41.67	53.28	66.79	82.37
55	-	3.97	8.89	14.74	21.70	29.98	39.77	51.24	64.60	80.02

C.O.P. [W/W]

$t_c \setminus t_e$	-50	-45	-40	-35	-30	-25	-20	-15	-10	-5
25	0.70	0.97	1.24	1.53	1.86	2.23	2.65	3.14	3.69	4.31
30	0.57	0.84	1.09	1.35	1.64	1.96	2.32	2.72	3.18	3.68
35	0.45	0.71	0.95	1.19	1.44	1.72	2.03	2.37	2.75	3.17
40	0.32	0.60	0.82	1.04	1.27	1.52	1.78	2.08	2.40	2.75
45	-	0.49	0.71	0.91	1.12	1.33	1.57	1.82	2.10	2.40
50	-	0.38	0.60	0.79	0.98	1.17	1.38	1.60	1.84	2.09
55	-	0.28	0.50	0.68	0.85	1.02	1.21	1.40	1.61	1.83

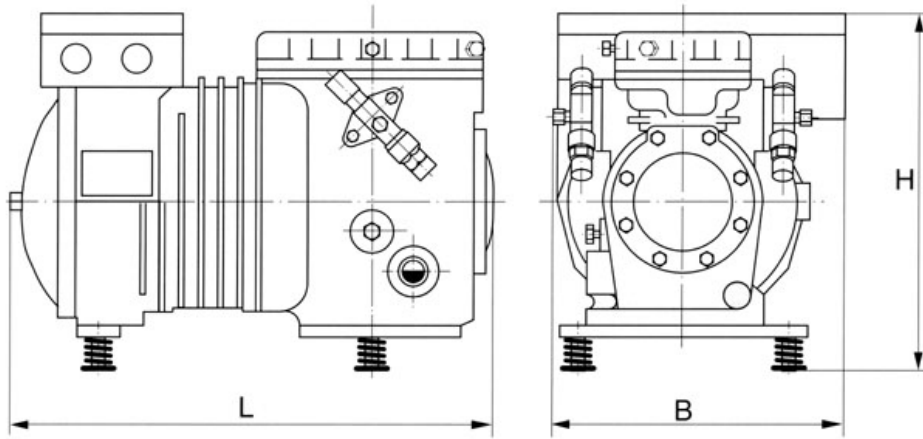
Application range


- Maximum evaporating temperature
- 25°C suction gas return + additional cooling

Operating conditions: ISO; subcooling: 0 K, suction superheat: 10 K, return gas temperature: -

t_c - Condensing temperature [°C]

t_e - Evaporating temperature [°C]



L	355 mm
B	235 mm
H	280 mm

